

UltimaPro 33 Series



ULT-P30KL33LV
ULT-P40KL33LV

ULT-P15K(L)33LV
ULT-P20K(L)33LV

ULT-P10K(L)33LV



APPLICATIONS

- Data Center
- Management & Monitoring Center
- Telecom & Networking
- Business Equipment



ULTIMAPRO 33 ON-LINE UPS SPECIFICATION

MODEL (BATTERY SPEC. ; MAX. CHARGING CURRENT)	RATING (KVA / KW)	DIMENSION (D x W x H) (mm / in)	NET WEIGHT (kg / lb)
ULT-P10K33LV (12 V / 9 Ah x (10 + 10) pcs ; 1 ~ 12A adjustable)	10 KVA / 10 KW	667 x 250 x 827 / 26.3 x 9.8 x 32.6	95 / 209.5
ULT-P15K33LV (12 V / 9 Ah x (10 + 10) pcs x 2 strings ; 12A ; optional 16A/20A)	15 KVA / 15 KW	865 x 300 x 1020 / 34.1 x 11.8 x 40.2	181 / 399.1
ULT-P20K33LV (12 V / 9 Ah x (10 + 10) pcs x 3 strings ; 12A ; optional 16A/20A)	20 KVA / 20 KW	865 x 300 x 1020 / 34.1 x 11.8 x 40.2	231 / 509.4
ULT-P10KL33LV (w/o batteries ; 1 ~ 12A adjustable)	10 KVA / 10 KW	667 x 250 x 827 / 26.3 x 9.8 x 32.6	45 / 99.2
ULT-P15KL33LV (w/o batteries ; 4 ~ 12A adjustable ; optional 16A/20A)	15 KVA / 15 KW	865 x 300 x 1020 / 34.1 x 11.8 x 40.2	80 / 176.4
ULT-P20KL33LV (w/o batteries ; 4 ~ 12A adjustable ; optional 16A/20A)	20 KVA / 20 KW	865 x 300 x 1020 / 34.1 x 11.8 x 40.2	81 / 178.6
ULT-P30KL33LV (w/o batteries ; 8 ~ 24A adjustable)	30 KVA / 30 KW	790 x 420 x 1200 / 31.1 x 16.5 x 47.2	150 / 330.8
ULT-P40KL33LV (w/o batteries ; 8 ~ 24A adjustable)	40 KVA / 40 KW	790 x 420 x 1200 / 31.1 x 16.5 x 47.2	160 / 352.8
Input Nominal Voltage	3 x 208 / 220 VAC (3Ph + N + G)		
Input Voltage Range	138 ~ 270 VAC @ 50% load 173 ~ 253 VAC @ 100% load		
Input Frequency Range	50 / 60 Hz ± 4 Hz		
Input Power Factor	≥ 0.99 @ 100% load		
Output Nominal Voltage	3 x 208 / 220 VAC (3Ph + N + G)		
Voltage Regulation	± 1%		
Output Frequency	50 / 60 Hz synchronized ± 4 Hz With mains absent ±0.1 Hz		
Current Crest Ratio	3:1 (max.)		
Efficiency	93.0% @ AC mode 92.5% @ Batt. Mode 97.0% @ ECO Mode		
Output Total Harmonic Distortion (THDv)	< 2% (Linear load); < 4% (non-linear load)		
Admissible Output Overload	110% for 60min; 130% for 1min; >130% for 1 second @ AC mode 110% for 30 seconds; 130% for 10 seconds; >130% for 1 second @ Batt. mode		
Battery Numbers (Long-run Model)	16 ~ 20 pcs (Adjustable)		
Charging Voltage (Long-run Model)	±13.65 VDC x N (N = 8 ~ 10)		
LCD Display	UPS status, Load level, Battery level, Input / Output voltage, Discharge timer, and Fault conditions		
Communication Port	Smart USB		
Optional SNMP	Power management from SNMP manager and web browser		

Product specifications are subject to change without further notice.

FEATURES

- **True double-conversion technology**

True double conversion UPS provides clean, high quality power, ideal for sensitive applications. When the utility is lost accidentally, the UPS system will use the power from battery to output without interruption.

- **Output Power Factor 1.0**

For critical applications, this 3-phase online UPS with output power factor 1.0 ensures higher efficiency and advanced performance.

- **DSP control guarantees high performance**

DSP control technology greatly reduces harmonic distortion in non-linear loads without manual intervention for advanced maintenance.

- **Active power factor correction in all phases**

By cancelling input current harmonics, the harmful effects of harmonic injection into the power network is eliminated. Lower power losses would result in reduced consumption and lower operation and maintenance costs.

- **High overload capability**

Supporting 110% overload capacity for 60 minutes and up to 1 minute overload condition at 130% load.

- **Built-in Maintenance bypass function**

The maintenance bypass function makes UPS output without interruption when maintenance.

- **ECO mode operation for energy saving (ECO)**

ECO mode improves the efficiency up to 97% to cut energy usage & cost. In this mode, loads are supplied by the mains directly. While mains failure, the UPS will constantly supply the power to the connected device without any interruption.

- **50 / 60 Hz frequency converter mode**

Lock output frequency at 50Hz or 60Hz to suit power powersensitive equipments.

- **SNMP + USB multiple communications**

The UPS is also built-in multiple communications including USB and intelligent slot. with free download software, this UPS provides complete power solution of monitoring and controlling remotely.

- **Adjustable battery design**

The number of connected batteries can be adjusted flexibly based on different power demands. This feature can allow UPS to keep running even when some battery packs are damaged.

- **3-stage extendable charging design for optimized battery performance**

- **Emergency power off function (EPO)**

EPO safety feature allows immediate power down of UPS and equipment in case of emergency to protect connected equipment.

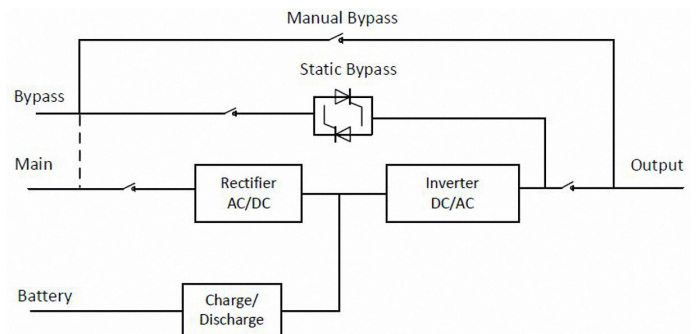
- **Adjustable charging current**

Users can adjust charging current via LCD setting based on applications.

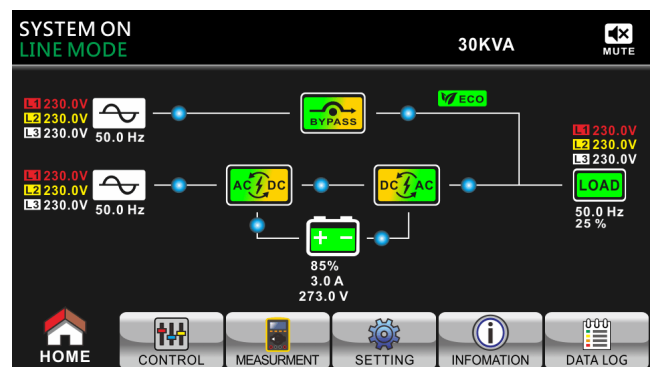
- **Very powerful charger**

UltimaPro 33 series is built-in 12A charger for 10K/15K/20KVA models and 16A charger for 30K/40KVA models. It's to support very long runtime applications when connecting to big capacity of external battery cabinet.

- **High reliability online UPS system**



- **4.3" LCD for comprehensive UPS information**



- **Dual inputs function**

UltimaPro 33 series is also available for dual inputs to support various inputs to have flexibility for system configuration.

- **Parallel operation with common battery (Optional)**

The system can be operated in parallel, increasing the capacity and performance. Besides, this parallel UPS system can share common battery packs which might greatly reduce the expense and reach the same performance.

Model	UltimaPro 33 10K-40K
Max. parallel units	3